

RAISE A GREEN WORLD



TRACKING SYSTEM

120°

# ANTAISOLAR TRACKING SYSTEM

**Web** | [www.antisolar.com](http://www.antisolar.com)

**E-mail** | [sales@antisolar.com](mailto:sales@antisolar.com)

**HQ Add** | 30F, W Square, 1801 Huandao East Road Siming District, Xiamen, China

**Production Base Add** | Guanshan Industrial Park Changtai County, Zhangzhou, China



# TRACKING SYSTEM

In our eyes  
each set of solar tracker  
is regarded as  
an 「individual entity」

Now let us witness  
how they come to life

# CHAPTER OF **STRUCTURE**

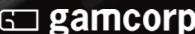
## FORMING A SOLID BACKBONE

### Six production bases

- Manufacturing centers located in China, Southeast Asia, South Asia, the Middle East, Europe, Latin America
- Vertical integrated production with strict process control
- Annually capacity of solar tracker: 8.5GW

### Multiple layers of quality management

- Certified to the ISO 9001 standard
- Fully automated cold roll forming and punching production line to ensure product processing performance
- Obtained CPP, Intertek, SGS, CE, UL, TUV and DNV authoritative certification and Gamcorp structural certification.

CPP  



# TRACKING SYSTEM

### Comprehensive wind tunnel test

- Introduced authoritative CPP wind tunnel test data
- Completed the fourth stage of wind tunnel test, with double guarantee of strength and stability
- Offering the best solution in a cost-effective way according to different areas of wind pressure, snow pressure, geological conditions, ground roughness, corrosion, etc.

### Two laboratory bases

- All products pass strict node testing for ensuring its stability
- Full-process monitoring of all test data, instant feedback
- Advanced life test facility for strict quality control

# CHAPTER OF CONTROL SYSTEM

## FORMING A PRECISE NEURAL NETWORK



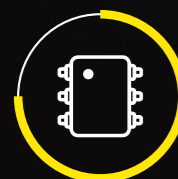
### Antai Intelligent Algorithm

- **Traditional Tracking Algorithm:** only focused on the direct light  
Antaisolar Intelligent Algorithm: optimized tracking angle for low irradiation condition and scattering lights during cloudy days, with a 0.5%-2% power generation augment
- **Traditional algorithm:** only focused on the shadow avoiding situation  
Antaisolar Intelligent Algorithm: from the viewpoint of the overall layout plan, the algorithm iterated the optimized tracking angle for each controller, with a 0.5%-3% power generation increased



### Independent R&D Control Kernel

- An independently researched and developed, highly integrated and easy-installed Control Unit
- Significantly reduced the power consumption and installation assembly error



### Cooperative R&D Essential Module

- 1000VDC/1500VDC PV string power SMPS module
- Power Supply: 300-1500VDC String Powered, 90-264VAC Powered, Backup lithium battery
- -30°C low-temperature lithium battery module
- High-accuracy tilt sensor



### Whole UL Certificated Accessories Assembly

- All accessories had been certificated by UL



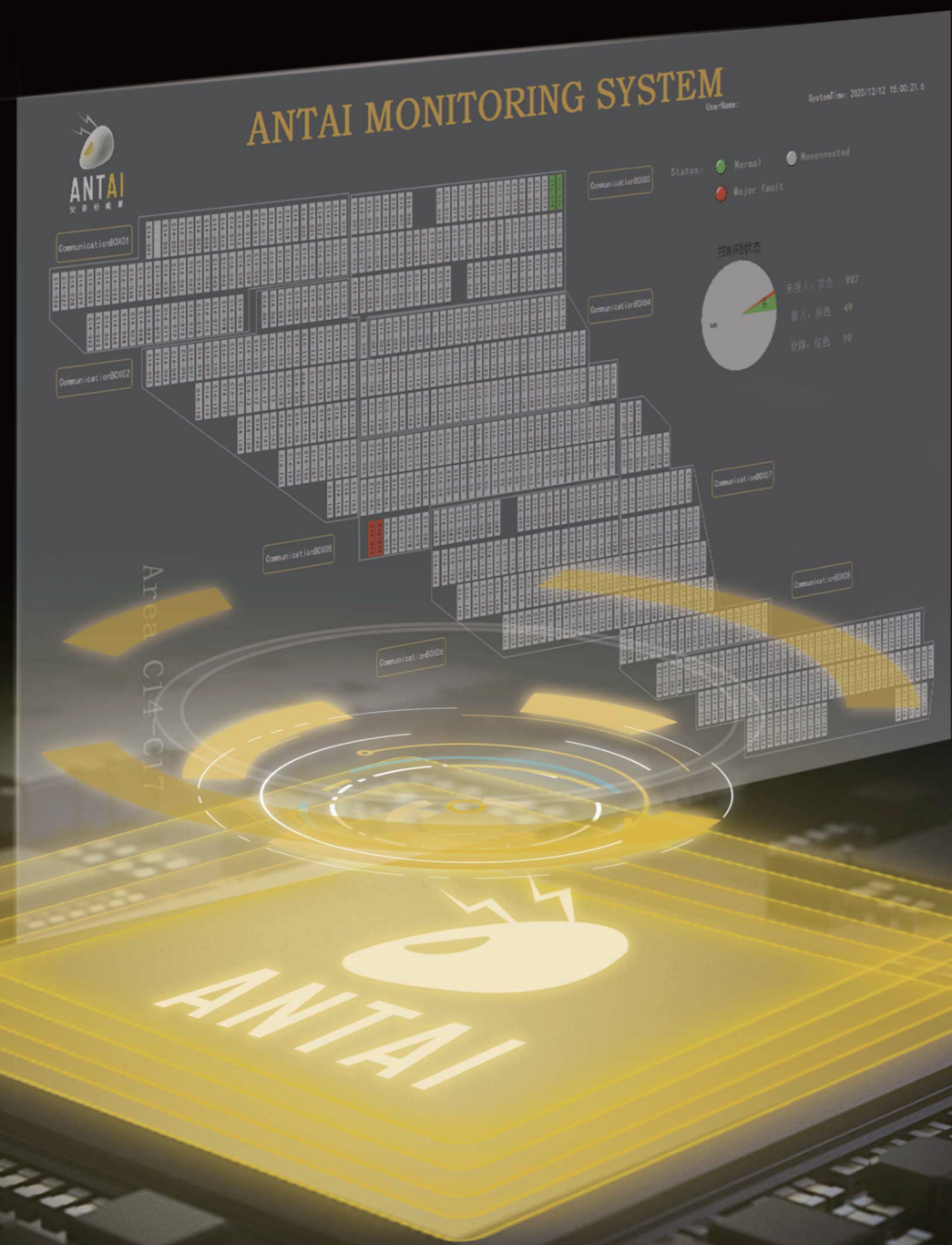
### Efficient and Reliable Communication System

- Zigbee wireless system
- Mesh Networking
- High transmission rate
- Stable communication quality



### Cleaning Robot Integrated System

- Close control loop with cleaning robot that formed a perfect tracker-robot match
- Daily cleaning routine to increase the power generation



# CHAPTER OF AI SYSTEM

## FORMING A INTELLIGENT BRAIN



### Big Data Supported Machine Learning Potential Risks Forewarning

- Large database formed from daily tracking load analysis
- Operation analysis from big data gathered from daily tracking
- Forecast the component's service life to decide the maintenance and components replacement for the whole solar farm's reliability
- Reduce the potential power losses by the O&M operation



### Smart self-inspection and Commissioning

- Installation self-inspection by comparing the operation data of each component with the standard operation data after installation, it can give forewarning for installation errors in time and improve installation efficiency.
- Control Unit (CU) fast configuration via smartphone QR code scanning
- Up to 200 CU centralized control by Data Logger via smartphone



### AI Weather Condition Waring Inclement Weather Protection Mode

- Introducing high accuracy AI forecasting system
- System equipped with hyetometrograph, anemometer rain and snow sensor, etc. to record the real time weather conditions. And the system combines the historical data, meteorological satellite images, and field weather conditions to generate a 30 minutes' accurate forecasting



### AI Light Source Tracking Maximum Power Generation Optimization

- Using the historical big data and the weather, terrain, scattered light conditions, together with the AI deep machine learning method to generate the optimized tracking path, and maximize the power generation

# CHAPTER OF **SERVICE**

FORMING A DEDICATED HEART

## Multiple quality inspection

- Simulated laboratory for testing the system rationality
- Structural inspection ensures excellent quality of solar tracker
- Whole system condition testing platform for electric

## Experienced engineering & site support

- Conduct site survey before the project to optimize the project plan
- On-site project managers for controlling the entire process from delivery, schedule coordination to product inspection for Utility projects
- On site technical installation guidance if necessary

## Self-owned logistics team

- Customized logistics services provided for fast access to case site
- Directly cooperate with ocean, air, land, rail carriers to reduce intermediate links and reduce logistics costs
- Global agency network, all-the-way tracking of cargo transportation
- Overseas warehouses established with stocks of general-purpose supplies

## Quick response with customer service team

- 7\*24 on call
- Multilingual, 1 to 1 exclusive customer service
- Designing proposal offered within 24 hours

## Global network & localization service

- Strategic layout of overseas branches and offices
- Local sales and technical team service

# CHAPTER OF R&D

## FORMING THE POWERFUL MATRIX



### Global Four Major R&D Bases

- Owns four major R&D bases for solar tracker, fixed structure and high performance material
- Highly educated R&D team composed of 120 persons
- Research fields spanning electrical, mechanical, materials, engineering, Internet of Things, AI, etc.
- As the industry's top technical innovation talents, the core members have been engaged in the R&D of solar tracker for more than 19 years, obtained a number of national patents and participated in a large number of domestic and foreign projects

### Technical Advantages



Top technical innovation talents

**19**  
YEARS

Years of designing experience

**CPP**

CPP wind load automatic data



Case design experience for Europe, Americas, Middle East, Asia and other markets



Good master of design and architectural standards for global regions

# TRACKING SYSTEM

## TAI Simple

Slew-Drive Single-Axis Independent Tracking System—1P



Patent single-slew-drive design



Dampers Protect



Fewer column for fast installation



Wider range of tracking



Match for bifacial modules



Match for auto-cleaning robots

- 1P, with the length up to 97m
- Up to 55 m/s wind speed per ASCE 7-10
- Slope Tolerances: Unlimited E-W direction N-S Up to 20% (11°)
- Tracker Rotation Range: Up to  $\pm 60^\circ$





# TRACKING SYSTEM

## TAI Universal

Multiple Slew-Drive Single-Axis Independent Tracking System—2P



Multi-slew drive though mechanical synchronously



Higher system nature frequency, Wind resistance increase by nearly 3 times



Great slope terrain adaptability



Wider range of tracking

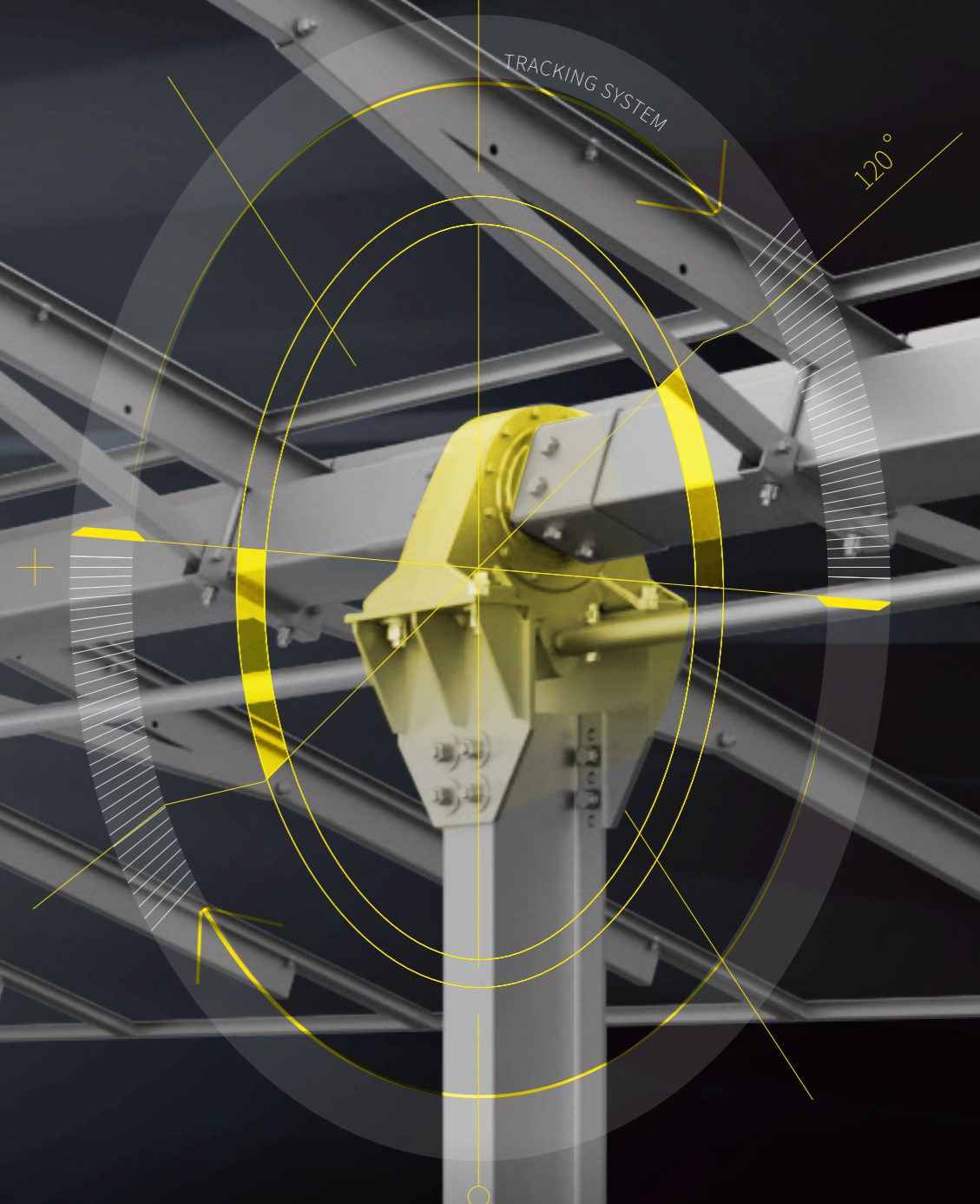


Match for bifacial modules



Match for auto-cleaning robots

- 2P, with the length up to 70m
- Up to 55 m/s wind speed per ASCE 7-10
- Slope Tolerances: Unlimited E-W direction N-S Up to 20% (11°)
- Tracker Rotation Range: Up to  $\pm 60^\circ$



# TRACKING SYSTEM

## TAI Space

Multiple Slew-Drive Single-Axis Independent Tracking System—1P



Maximum length of 240m with mainstream large-format module



Synchronous Multi-point Slew Drive



BLDC system with more than 30 years' maintenance-free serviced life



Wider range of tracking



Match for bifacial modules



Match for auto-cleaning robots

- 1P, with the length up to 240m
- Up to 55 m/s wind speed per ASCE 7-10
- Slope Tolerances: Unlimited E-W direction N-S Up to 20% (11°)
- Tracker Rotation Range: Up to  $\pm 60^\circ$



**TRACKING  
SYSTEM**

**RAISE A GREEN WORLD**

— Antaisolar

