



## CERTIFICATE



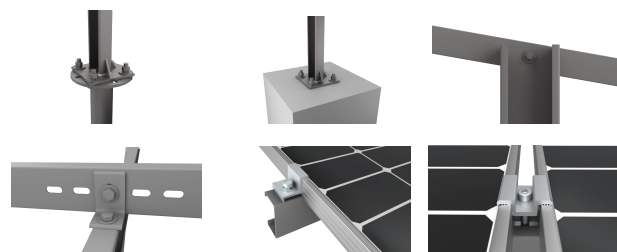
## SPECIFICATION

<b>System Name</b>	MetaGround- Steel-C Steel Ground Mounting System
<b>Ground Type</b>	MAC/ HDG Steel
<b>Tilt Angle</b>	Up to 60°
<b>Wind Load</b>	Up to 90m/s
<b>Snow Load</b>	Up to 50cm
<b>Applicable Solar Module</b>	Framed/Frameless
<b>Panel Layout</b>	Portrait/Landscape
<b>Design Standard</b>	BS EN, ASCE7-10, BS 6399, AS-NZS 1170, GB 50009-2012, MS 1553, NSCP
<b>Material</b>	MAC/ HDG Steel, AL-6005-T6, SUS304
<b>Color</b>	Sliver/Black
<b>Warranty</b>	10-year



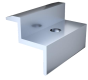
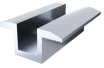

## FEATURE





1. Economic and reliable solution. Economic and reliable solution for solar projects on solar farms.
2. Stable & strong structure. Different designs to meet high loads caused by local wind and snow conditions
3. Optional foundation. Steel Pile, ground screw, and concrete block foundations are optional.

## INSTALLATION



## COMPONENT

- 1  Beam
- 2  Inclined Beam
- 3  End Clamp
- 4  Mid Clamp
- 5  Beam Support

- 6  Foundation
-  Post
-  Post with welding plate
-  Grounding Screw